



GENERAL INFORMATION

Name	UAL LOBITO
Type	MPP Dry Cargo Ship
IMO	9265653
Built	2003
Flag	Dutch
Class	BV
Call Sign	PBJZ

TONNAGE

DWT	4354 mt
GT	3153 mt
NT	1789 mt

MAIN DATA

LOA	89,98 m
Beam	15,20 m
Summer Draft	5,31 m

HOLDS / HATCHES

Number	1 Hold
Hold Dimensions	
Hold No.1	61,50 m x 12,65 m
Hold No.2	-

FLOOR SPACE

Under Deck	1006 m ²
On Deck	610 m ²
Total	1616 m ²

CARGO CAPACITY

Total Capacity (WITHOUT TWEENDECK)	6.262 CBM / 221.137 CBFT
------------------------------------	--------------------------

PERFORMANCE

Max Speed	10,0 Kts
-----------	----------

DECK STRENGTHS

Tanktop	15 mt/m ²
Tweendeck	3,5 mt/m ²
Hatchcover	1,60 mt/m ²

CONTAINER CAPACITY

In Hold	126 TEU
On Deck	92 TEU
Total (Nonimal)	218 TEU
Stackweight on deck	32 mt/TEU; 48 mt/FEU
Stackweight under deck	72 mt/TEU; 90 mt/FEU
Reefer Plugs	4

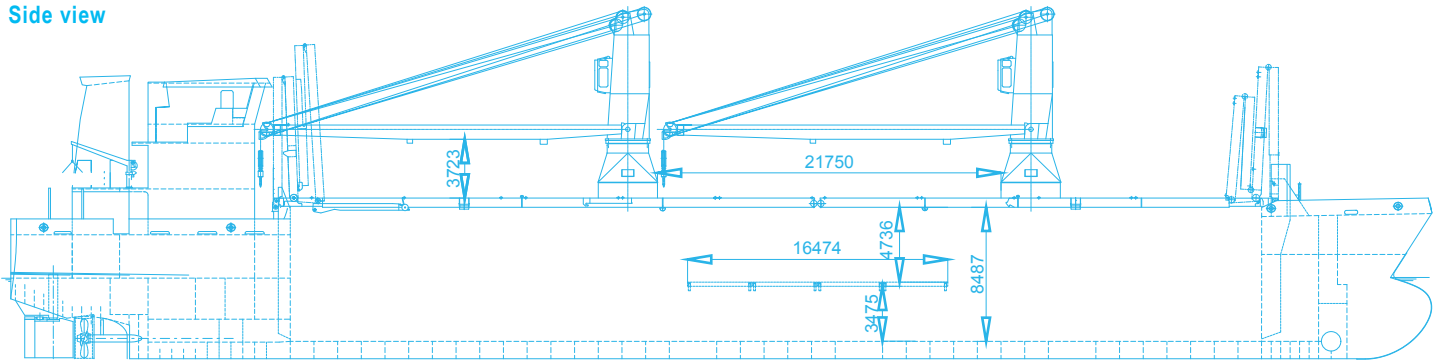
CARGO / HANDLING GEAR

Cranes	2 Cranes; Each up to 36mt
Comined Lift Capacity	72 mt
Position	Port Side
Automode	No
Hatch Gantry	No

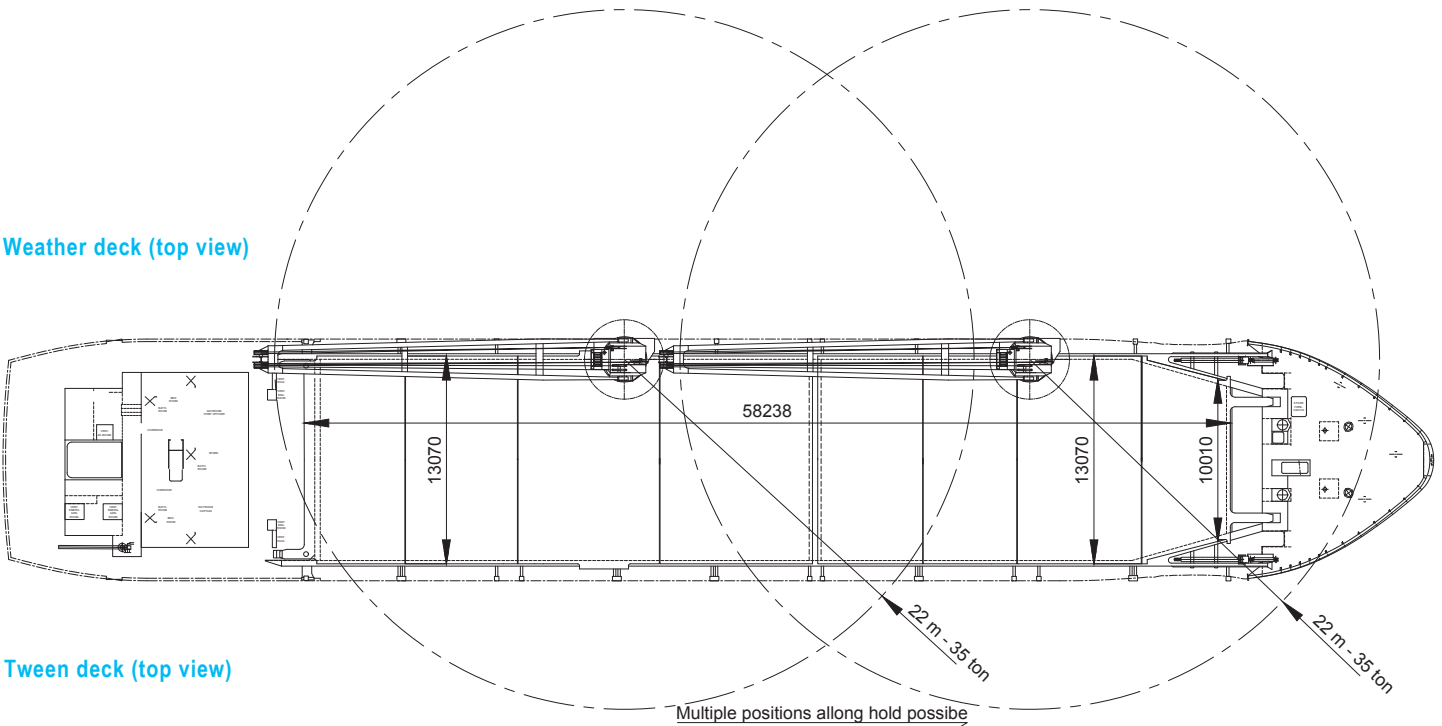
SPECIAL EQUIPMENT / FEATURE

Highest Iceclass	Yes, Finnish/Swedish 1B
CO2 Fitted	Yes
Bowthruster	1 x 300 Kw (408 HP)
IMO 1-9 Fitted	Yes
A60 Bulkhead	Yes
Grain Fitted	Yes

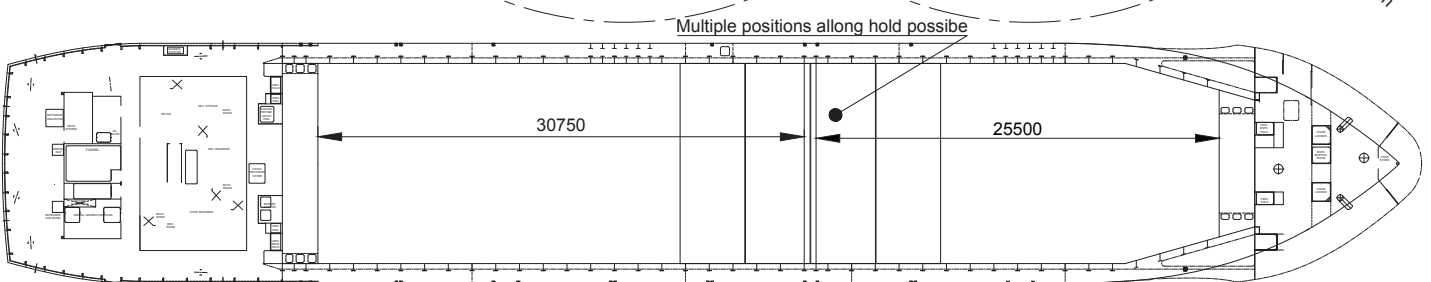
Side view



Weather deck (top view)



Tween deck (top view)



Tanktop (top view)

